

Countum Group

SATAM

Metering Solutions



Metering system for truck and railcar loading

ZCE 6

ZCE 6 horizontal metering unit is designed for truck and train tankers loading stations in a top or bottom configuration.

ZCE 6 space-saving configuration enables easy installation in smaller facilities and in compact pipeline network.

Flow computers

Measuring systems

Flow meters

Accessories

Sectors of application

- Tanker trucks and railcars loading applications
- Preparation of bio-fuels by means of online or batch blending
- Measurement of white products and bio-fuels

High reliability measuring system

Ready-made technology

ZCE 6 horizontal measuring systems are completely assembled, wired and tested in the production facility in order to ensure a maximum reliability.

Measurement stability and accuracy

Measurement accuracy guaranteed over a period of many years without any deviation in the calibration curve.

Modular design

Extensive line of accessories to create customized measurement applications.

Key points

Low installation costs

Complete and ready-to-install measuring unit including strainer, air eliminator, PD meter, valve and register.

Low maintenance costs

Simple and robust construction with minimal moving parts
Interchangeable mechanical components.

Space-saving installation

Compact metering unit for installation in smaller areas and in vertical pipeline networks.

A safe and easy-to-use technology

Automatic gas elimination system to start loading operation with empty pipe.

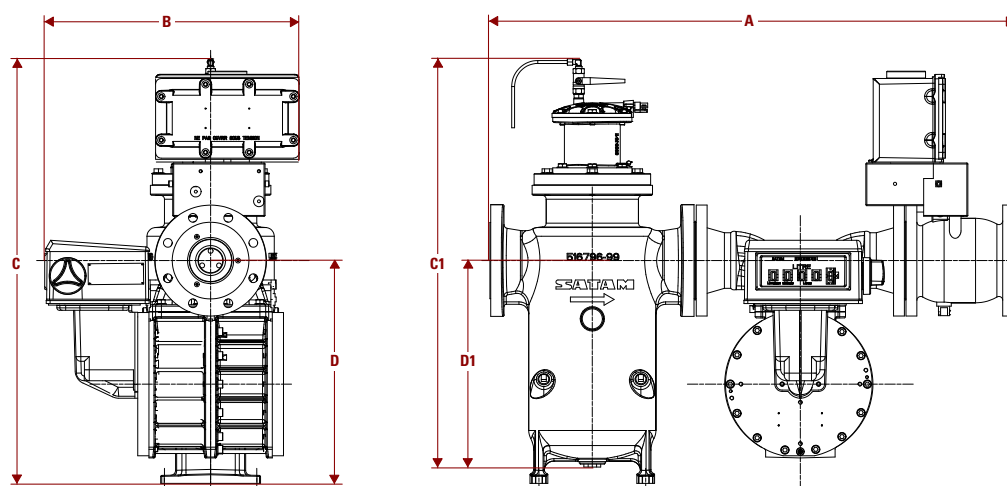
Filtering system with automatic clogging detection (option).

Communication

Direct communication with supervisory system with the electronic register version.

Technical data - Horizontal metering system

Measuring system		ZCE 6-80	ZCE 6-150	ZCE 6-250
Maximum flow rate	m ³ /h - L/mn - USGPM	80 - 1333 - 360	150 - 2500 - 660	250 - 4166 - 1100
Application		Tanker truck and rail car loading application, product transfert		
Measured parameters		Actual volume, temperature-corrected volume*, mass*, flow rate**, temperature* (* : only for electronic register version, ** : option for mechanical register version)		
Measured liquids		Petrol, premium fuels, diesel, E5...E85, bio-diesel, ethanol, methanol, kerosene, fatty acid methyl ester, oils		
Equipment	Strainer - Gas elimination device	EC 31	EC 32	EC 39
		50 to 450 μ filtering (270 to 40 Mesh) depending on the liquid Gas release controlled by float and differential valve		
	PD meter	ZC 17-80	ZC 17-150	ZC 17-250
	Temperature measurement	4-wire Pt100 (option for electronic calculator version)		
	Multi-function valve	Small and large flow, authorisation, flow limitation		
		XAD 37 DN3"	XAD 36 DN4"	XAD DN6"
	electrical control	●	●	●
	mechanical control	●	●	-
	Flow register	Mechanical register model VR with pre set*, printer*, pulser* (* : option) or Equalis flow computer with display, secure archiving of transactions		
Operating conditions	Pressure	10 bar max.		
	Viscosity	20 cSt max. – Contact us about higher viscosities		
	Liquid temperature	-10 to +80 °C		
	Ambient temperature	Standard: -25 to +55 °C ; Option -40 to +55 °C Ask us about higher or lower temperatures		
Metrological performances	Accuracy	≤ 0.15 % - Option ≤ 0.1 % - for measurement range of 10 : 1		
	Repeatability	≤ 0.02 %		
	Temperature accuracy	≤ 0.5 °C		
Installation	ATEX certification	Zone 1 ; II 2 G		
Custody transfer approval		MID - CE Evaluation Certificate n° LNE-11052 (ZC17) Type compliance certificate OIML R117 n°LNE-24351 (ZC17)		
Dimensions (mm) and weight		ZCE 6-80	ZCE 6-150	ZCE 6-250
	Distance between flanges (A)	970	1081	1456
	Width (B)	456	524	640
	Height (C)	875	875	-
	Height (C1)	-	-	1110
	D	459	459	-
	D1	-	-	700
	Weight (kg)	190	230	405



Headquarters and Sales Department

PARIS NORD II
Bat. le Gauvain - 47, allée des Impressionnistes
BP 85012 Villepinte
95931 Roissy CDG Cedex FRANCE
Phone: +33 (0)1 48 63 02 11
Fax: +33 (0)1 49 38 41 01
E-mail: sales@satam.eu

Manufacturing facility

Avenue de Verdun - CS 60129
14700 Falaise FRANCE
Phone: +33 (0)2 31 41 41 41
Fax: +33 (0)2 31 40 75 61



www.satam.eu