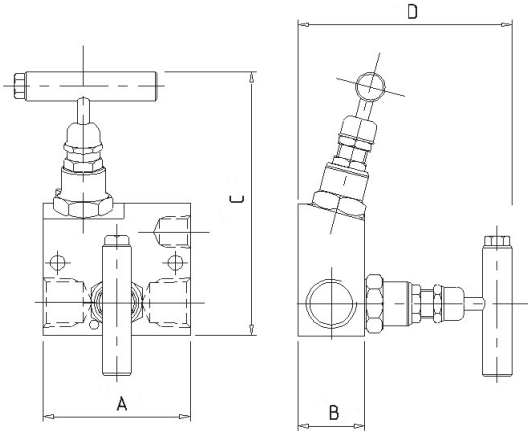


Product Data Sheet	G12AF Type 2 Valve Manifold
---------------------------	------------------------------------



The 'G12AF' Type 2 valve manifold is designed for remote mounting to static pressure transmitters. The angled heads allow for panel mounting. The separate vent valve gives full control of venting of the instrument, plus the ability to calibrate in-situ. Each needle valve head is designed for safe and reliable isolation, giving bubble tight shut off, with non-rotating & anti-galling tip and dynamic self-adjusting spindle seal to give long service life in a variety of service conditions.

Part No.	Connections Size	A	B	C	D	Weight (Kgs)
G12AF	1/2" F x F	2.5	1.1	4.6	3.6	1.0

Key Features of the Oliver Needle Valve range

- Non rotating tip - self centering & anti-galling
- Piston ring - gives dynamic adjustment of gland seal in response to pressure change
- Anti-blow out spindle - a major safety feature
- Secure seal - precision machined to give leak free operation for the life of the valve. Available in either PTFE or Grafoil

Standard Specification

Pressure: 6000psi	Packing: PTFE	Handle: T-Bar	Bore: 0.21" (5.4mm)
Temp: 240 deg C	Thread form: NPT	Seat: Metal to metal	CV: 0.46
2 x 9/32" diameter mounting holes included		1/2" Inlet / Outlet Connections	
1/4" NPT Vent Connection			

Ordering Code

(Typical example) →	G12AF	S	/	BT	/	AT
Type	G12AF - Female x Female					
Material	S - 316S31 Stainless Steel M - Monel (400) HC - Hastalloy (C276) (Others available)					
Optional Connections (NPT Standard)	BT - BSP Taper BP - BSP Parallel (top sealing) BTV - BSP Taper Vent BPV - BSP Parallel Vent					
Options	AG - Grafoil AT - Anti-Tamper BKTC - Carbon steel mounting bracket BKTS - Stainless steel mounting bracket HL - Handle Locking HL-PI - Handle Locking + Position Indicator HW - Hand Wheel LT100 - Cryogenic Head Unit (-100°C) MT - Metering Tip NA - NACE MR-01-75 (latest revision) OXY - Oxygen Cleaned PK - PEEK Soft Tip PP - Blank Plug In Vent Connection					