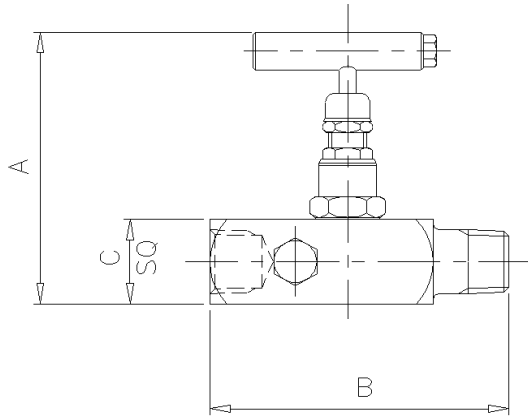


<b>Product Data Sheet</b>	<b>GV Type Needle Valve</b>
---------------------------	-----------------------------



The 'GV' Type Gauge Vent Needle Valve is designed for safe and reliable isolation, giving bubble tight shut off, with non-rotating & anti-galling tip and dynamic self-adjusting spindle seal to give long service life in a variety of applications. The additional ability to bleed the gauge cavity to atmosphere and also connect a calibration device, via a 1/4" NPT female connection, is included.

Part No.	Connections Size	A	B	C	Weight (Kgs)
GV1F	1/2"	3.6	3.1	1.1	0.5
GV1M	1/2"	3.6	3.9	1.1	0.5

### Key Features of the Oliver Needle Valve range

- Non rotating tip - self centering & anti-galling
- Piston ring - gives dynamic adjustment of gland seal in response to pressure change
- Anti-blow out spindle - a major safety feature
- Secure seal - precision machined to give leak free operation for the life of the valve. Available in either PTFE or Grafoil

### Standard Specification

Pressure: 6000psi	Packing: PTFE	Handle: T-Bar	Bore: 0.21" (5.4mm)
Temp: 240 deg C	Thread form: NPT	Seat: Metal to metal	CV: 0.46
1/2" Inlet / Outlet Connections		1/4" NPT Bleed Connection (Plugged)	

### Ordering Code

(Typical example) →	<b>GV1F</b>	<b>S</b>	/	<b>BT</b>	/	<b>AT</b>
<b>Type</b>	GV1F - Female x Female GV1M - Male x Female					
<b>Material</b>	S - 316S31 Stainless Steel M - Monel (400) HC - Hastalloy (C276) (Others available)					
<b>Optional Connections (NPT Standard)</b>	BT - BSP Taper BP - BSP Parallel (top sealing) BW-SCH*** - Butt weld (Schedule ***)					
<b>Options</b>	AG - Grafoil AT - Anti-Tamper HL - Handle Locking HL-PI - Handle Locking + Position Indicator HW - Hand Wheel LT100 - Cryogenic Head Unit (-100°C)			MT - Metering Tip MTG - Mounting Holes x 2 NA - NACE MR-01-75 (latest revision) OXY - Oxygen Cleaned PK - PEEK Soft Tip (not available oxygen cleaned)		