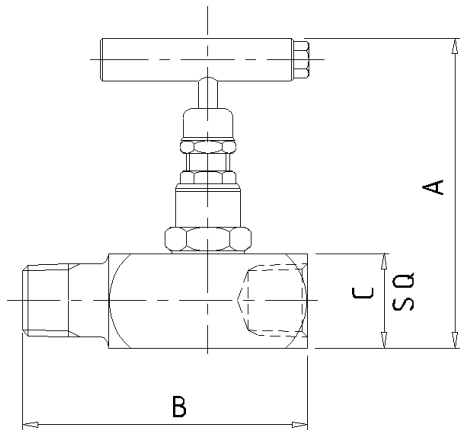


Product Data Sheet	M Type Needle Valve
---------------------------	----------------------------



The 'M' Type Single Isolating Needle Valve is designed for safe and reliable isolation giving bubble tight shut off, non-rotating & anti-galling tip and dynamic self-adjusting spindle seal to give long service life in a variety of applications.

Part No.	Connections Size	A	B	C	Weight (Kgs)
M25	1/4"	3.6	2.75	1.1	0.5
M38	3/8"	3.6	2.9	1.1	0.5
M50	1/2"	3.6	3.4	1.1	0.5
M75	3/4"	4.0	3.6	1.5	0.8
M10	1"	4.5	4.0	2.0	1.4

Key Features of the Oliver Needle Valve range

- Non rotating tip - self centering & anti-galling
- Piston ring - gives dynamic adjustment of gland seal in response to pressure change
- Anti-blow out spindle - a major safety feature
- Secure seal - precision machined to give leak free operation for the life of the valve. Available in either PTFE or Grafoil

Standard Specification

Pressure: 6000psi	Packing: PTFE	Handle: T-Bar	Bore: 0.21" (5.4mm)
Temp: 240 deg C	Thread form: NPT	Seat: Metal to metal	CV: 0.46

Ordering Code

(Typical example) →	M	50	S	/	BT	/	AT
Type	Male x Female						
Size	25 - 1/4" 75 - 3/4" 38 - 3/8" 10 - 1" 50 - 1/2"						
Material	S - 316S31 Stainless Steel M - Monel (400) (Others available) C - 220M07 Carbon Steel HC - Hastalloy (C276)						
Optional Connections (NPT Standard)							
BT - BSP Taper BP - BSP Parallel (top sealing) SW - Male Socket Weld BW-SCH*** - Butt weld Schedule ***							
Options							
AG - Grafoil AT - Anti-Tamper HL - Handle Locking HL-PI - Handle Locking + Position Indicator HP - 10000 psi HW - Hand Wheel LT100 - Cryogenic Head Unit (-100°C)							
MT - Metering Tip MTG - Mounting Holes x 2 NA - NACE MR-01-75 (latest revision) OXY - Oxygen Cleaned PK - PEEK Soft Tip (not available oxygen cleaned) PM - Panel Mount							

Rev1.1

Oliver Valves Ltd, Parkgate Industrial Estate, Knutsford, Cheshire, WA16 8DX. United Kingdom.

T: +44 (0)1565 632636 E: sales@valves.co.uk W: www.valves.co.uk